

PAB 20 A 009

Photoelectric Bus Amplifiers

Standard, Remote Photoelectric Systems




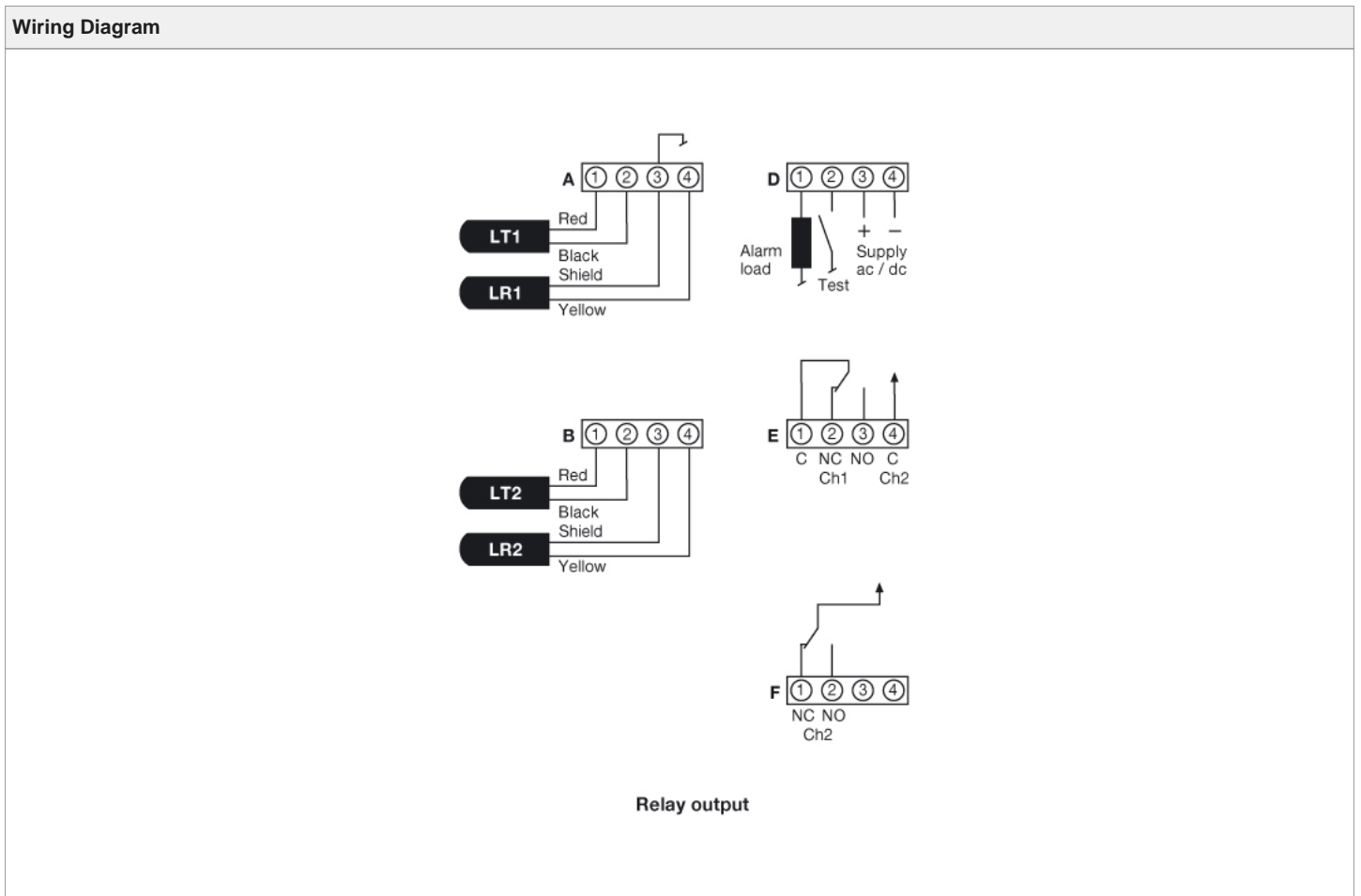
Product Data	
Supply Voltage:	10 – 30 V dc / 24 V ac
Housing:	Removable screw terminals
Sensing Range:	47 m
Number of Channels:	2
Sensitivity Adjustment:	Manual
Timer:	On/Off Delay
Output:	2 individual relays

Technical Data	
Supply Voltage:	10 - 30 V dc or 24 V ac
Current Consumption:	Max. 2,3 W
Housing Material:	Polyamide
Power On Indicator:	Green LED
Output Indicator:	Yellow LED
Hysteresis:	Approx. 35 %
Voltage Tolerance:	+/- 10 %
Output, Relay:	250 V ac / 3 A, 120 V ac / 5 A
Output, Transistor:	-
Alarm Indicator:	Red / yellow LED
LR Sensor Failure Indicator:	Yellow LED
LT Sensor Failure Indicator:	Red LED
Master/Slave Address Indicator:	Green / orange LED
Sensor Monitor LED Drive:	Green LED on the receiver: 'Power ON' Yellow LED on the transmitter: PAB output activated
Response Time t_{on} / t_{off} , Relay:	Short range: 33 ms / 26 ms - Long range: 60 ms / 53 ms
Response Time t_{on} / t_{off} , Transistor:	-
Alarm Output, Transistor:	PNP - 30 V dc / 100 mA
Test Input:	Yes
Signal Level Indicator:	Green LED

Operation Frequency, Relay:	Short range: 17 Hz - Long range: 9 Hz
Operation Frequency, Transistor:	-
Delay Time ton / toff:	0 – 10 sec, adjustable

Environmental Data	
Operation Temperature:	- 10 to +50 °C
Storage Temperature:	- 40 to +80 °C
Sealing Class:	IP 40

Approvals	
	



Dimensions

